



VEHICLE CONTROL SYSTEMS & ACCESSORIES



“Innovative vehicle solutions to keep you moving!”



OVERVIEW

Vehicle solutions since 1987

Impart Special Products (Impart SP) is a division of Sydney-based electronics engineering business, Inventis Technology Pty . Impart SP's primary line of business is the design and manufacture of control systems and niche market accessories for emergency and field service vehicles.

Impart SP was formed in 1987 and (originally) trading as 'Emergency Light & Sound', specialised in lighting and audio solutions for emergency services and field service vehicles. Today, Impart SP is a leading supplier of control systems and specialised accessories for Emergency Services, Field Service and other Commercial vehicles. We deliver a custom service not offered by any other company in Australia.

Our principal end user customers are Australia's major fire, police, ambulance, emergency services and corrective services groups. To deliver these highly specialised vehicles, we work with the major automotive body builders to create the customised systems demanded by the vehicle owners.

We also work with the many smaller specialised vehicle fit-out businesses, who design and assemble vehicles for a wide range of customer specific needs, ranging from mining, to construction, to roadside assistance. From manufacturing to our customers' specifications, to assisting with the installation, commissioning and support, we're not just a supplier, but a business partner committed to adding value to our customers' businesses.

So diverse and numerous are the solutions we've created, you've probably encountered one or more of our innovations without realising it.

WHY IMPART SP?

- Australian based
- Long history of innovation
- Custom solutions that are fit for purpose
- Considerable experience meeting the needs of emergency services, corrective services and field service vehicle owner and operators
- Established working relationships with major motor body builders
- Flexible solutions for small or large customers

Impart SP - delivering the innovations in emergency & field service vehicle audio, lighting & control solutions that keep you moving!

Principal Markets & Customers

Emergency Services	Major metropolitan & rural Fire, Ambulance & Rescue groups
Police & Corrective Services	Major state police & correctives services groups
Emergency Services Vehicle Body Builders	Mader, Varley, ETT
Field Service Vehicle Body Builders	Various metro & regional based field service, mining, etc, vehicle fit-out specialists



VEHICLES SOLUTIONS

CAN-Bus Systems
 Programmable CAN-Bus connection modules •
 CAN-Bus control panels •

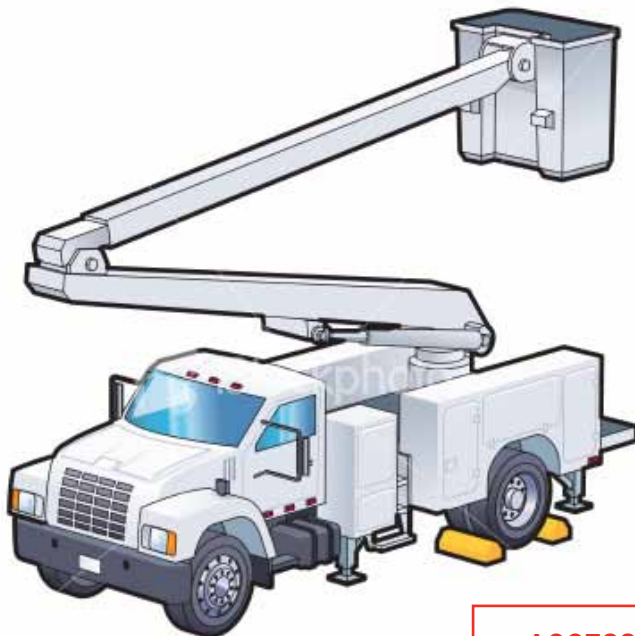
Control Interfaces
 Switch Panels & Mounts •
 Digital 'Display Switch' Controls •
 Touchscreen Controls •

Refrigeration & Pump Controls
 • Compressor Control Systems
 • Motor softstarters
 • Control & Monitoring Systems

Monitoring & Safety Systems
 • Gauges & Indicators
 • Boom Position Indicators/Alarms
 • Safety Interlock Systems

Power Management Systems
 • Voltage Converters
 • Battery Chargers & Monitors
 • Engine Speed Governors

CONTROL SYSTEMS



ACCESSORIES

Audio Systems
 Siren Systems •
 PA Systems (live, pre-recorded, radio re-broadcast) •
 In-vehicle Intercom systems •

Lighting Systems
 In-cabin Lighting •
 Work Area & Scene Lighting •
 Vehicle Warning Lights (beacons, strobes, etc) •
 Custom Incandescent & LED Lighting •
 Specialty Controls (indicator & running light controls) •

Miscellaneous
 • Clocks/Timers (cabin & external)
 • In-vehicle wash basins (for contaminated water collection)

In-vehicle Computers
 • Notebook PCs, Tablet PCs & UMPCs
 • 'Vehicle Rugged' & 'Fully Rugged' designs
 • COTS & custom mounting systems

PRODUCTS

CONTROL SYSTEMS

CAN-Bus Systems

- Solutions to add features, enhance safety, simplify cabling & lower costs
- Customisable solutions to address any vehicle, trailer, container or boat application

Controls

- Analogue & digital switch panels
- 'Display switch' & Touchscreen controls
- Customised COTS & fully custom designs

Refrigeration

- Complete vehicle refrigeration control systems
- Analogue & touchscreen control/management interfaces

Monitoring & Safety

- Gauges (incl. voltage, pressure, revs/speed, flow rates, fluid levels, etc)
- Indicators & alarms (incl. ladder boom position, wind speed, foam level)

Power Management

- Voltage Converters (incl. 12V to 24V, 24V to 12V)
- In-vehicle battery chargers & charge level monitors
- Engine speed monitors/governors



ACCESSORIES

Lighting Systems

- Incandescent & high-output LED cabin, work area & scene lighting solutions
- Specialty controls (incl. blinker alternating flasher & 'lights-always-on' relays)
- LED blinker load simulators (for incandescent blinker replacement applications)

Siren, PA & Intercom Systems

- Emergency Services (police, fire, ambulance, SES) grade siren systems
- Vehicle PA systems (live, prerecorded, radio re-broadcast)
- In-vehicle intercom systems
- Portable wireless work crew alert systems

In-Vehicle Computers

- Ruggedised notebooks, tablet PCs & UMPCs
- Mounting & power management systems

Miscellaneous Accessories

- Clocks & timers
- Motor softstarters
- Cabin or externally mountable (fully weatherproofed) solutions



CAPABILITIES

CUSTOM DESIGN SERVICES

We're the Australian engineering company that major motor body builders, auto-electricians and vehicle operators have been turning to since 1987 to create the custom controls and electronics devices they need to fulfil critical functions for a wide range of emergency and field service applications.

We engineer the innovative vehicle control solutions and after-market accessories you need, when there's no off-the-shelf solution to do the job. These include switch panels and custom fascia mounts, to custom intercom and PA systems, to electronics that interpret the outputs of a vehicle's CAN-Bus system in order to control the operation of after-market devices such as pumps, refrigeration compressors, work lights and safety interlock systems.

Better still, we're a local business, with more than two decades experience developing solutions for local needs. So whether it's a one-off application, or a complete fleet fit-out, we can help.

Our services include:

- COTS (Commercial Off The Shelf) & customised COTS control systems & accessories
- Fully custom-engineered solutions for commercial & military vehicles
- Local engineering support & 'whole-of-life' servicing & repairs



SOLUTIONS YOU CAN RELY ON

You might not know our name, but you've almost certainly encountered products and systems we've engineered in a wide range of situations. Typical products and services for a range of service types include the following:

Police & Corrective Services

- 'Voice-over', 'pre-recorded voice-over' & 'radio re-broadcast over' PA systems
- Inter-cabin intercom systems for passenger duress alerts

Ambulance Services

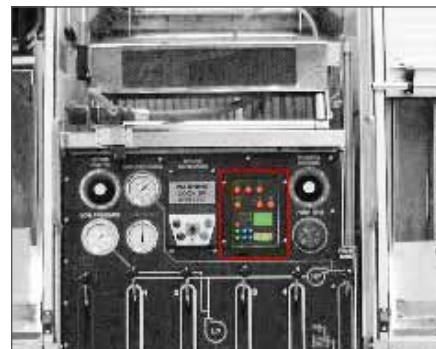
- Siren horns & tone generators
- Cabin lighting systems

Fire & Emergency Rescue Services

- Engine speed management systems for power take-offs
- Ladder & hose boom position safety indicators

Road-side Assistance

- Battery charge monitors
- Work area lighting systems





ABOUT INVENTIS TECHNOLOGY

Inventis Technology is a Sydney based electronic control systems designer and manufacturer. We've been creating and delivering innovative control, management and safety solutions to electronics OEMs, emergency services, police, defence and many enterprise and government customers for more than 20 years.

Our brands include SafeZone (driver & pedestrian advance warning systems), PNE (electronic control systems for OEMs), Impart (motor vehicle control systems), EAS (emergency alert siren beacon systems) and Opentec (rugged portable computers and computer-based solutions).

Phone: (02) 9525 4177

Fax: (02) 9525 5583

Email: sales@inventistechnology.com.au

Web: impartsp.com.au

Impart Special Products

A division of Inventis Technology

© 2011 Inventis Technology Pty Limited

Product specifications subject to change without notice

